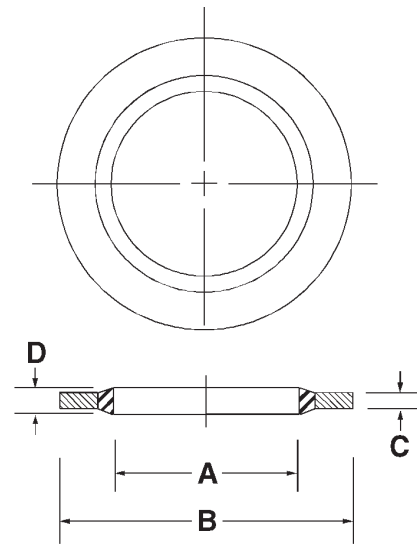


# 400 Series Bonded Seals

400 Series bonded seals are similar to 600 series stat-o-seals in application. One major manufacturing difference is that while the 600 series are chemically and mechanically bonded to the metal retainer, the 400 series is only chemically bonded. These are more commonly associated with metric sizes; however, British standard and inch size seals are available.

## Inch Sizes

Part Number	Bolt Size	BSP Size	Out-side Dia.	Inside Dia. A	Metal Thick-ness	Total Height D	Price
400-002-4490	6BA		0.250	0.120	0.051	0.074	\$ 0.95
400-003-4490	2BA		0.330	0.205	0.051	0.074	\$ 0.95
400-004-4490	1/4		0.520	0.270	0.051	0.074	\$ 0.95
400-006-4490			0.525	0.327	0.051	0.074	\$ 1.08
400-007-4490	5/16		0.560	0.340	0.051	0.074	\$ 0.97
400-020-4490	3/8	1/8	0.625	0.408	0.083	0.113	\$ 1.02
400-008-4490		0.4	0.723	0.443	0.083	0.113	\$ 1.02
400-009-4490	7/16		0.750	0.460	0.083	0.113	\$ 1.05
400-021-4490	1/2	1/4	0.810	0.541	0.083	0.113	\$ 1.07
400-010-4490	9/16		0.875	0.585	0.083	0.113	\$ 1.12
400-022-4490	0.6		0.875	0.623	0.083	0.113	\$ 1.14
400-011-4490	5/8		1.000	0.650	0.083	0.113	\$ 1.17
400-023-4490		3/8	0.937	0.680	0.083	0.113	\$ 1.19
400-012-4490	11/16		1.000	0.715	0.097	0.127	\$ 1.19
400-024-4490	3/4		1.060	0.775	0.097	0.127	\$ 1.32
400-025-4490	13/16	1/2	1.125	0.848	0.097	0.127	\$ 1.46
400-026-4490	7/8	5/8	1.250	0.925	0.097	0.127	\$ 1.62
400-027-4490	1	3/4	1.375	1.065	0.097	0.127	\$ 1.97
400-028-4490	1-1/16		1.520	1.095	0.097	0.127	\$ 2.25
400-029-4490	1-3/16	7/8	1.500	1.213	0.097	0.127	\$ 2.96
400-030-4490	1-5/16	1	1.685	1.334	0.133	0.163	\$ 2.98
400-031-4490	1-5/16	1	1.685	1.334	0.097	0.127	\$ 3.17
400-016-4490	1-3/8		1.750	1.415	0.133	0.163	\$ 5.33
400-017-4490	1-1/2		1.880	1.534	0.133	0.163	\$ 5.69
400-032-4490	1-5/8	1-1/4	2.062	1.690	0.133	0.163	\$ 5.74
400-018-4490	1-3/4		2.250	1.905	0.133	0.163	\$ 6.59
400-033-4490	1-7/8	1-1/2	2.307	1.907	0.133	0.163	\$ 6.63
400-034-4490	2-1/8	1-3/4	2.750	2.161	0.133	0.163	\$ 9.26
400-035-4490	2-1/4		2.770	2.285	0.133	0.163	\$ 21.97
400-036-4490		2	2.875	2.385	0.133	0.163	\$ 11.65
400-039-4490		2-1/2	3.555	2.995	0.133	0.163	\$ 16.90



## Metric Sizes

Part Number	Bolt Size	BSP Size	Out-side Dia.	Inside Dia. A	Metal Thick-ness	Total Height D	Price
400-207-4490	6		160	6.7	1.0	1.6	\$ 1.02
400-213-4490	8		14.0	8.7	1.0	1.6	\$ 1.09
400-216-4490	10		16.0	10.35	2.0	2.8	\$ 1.10
400-217-4490	10		16.0	10.7	1.5	2.3	\$ 1.14
400-220-4490	11		18.5	11.8	1.5	2.3	\$ 1.16
400-223-4490	12		20	12.7	1.5	2.3	\$ 1.18
400-229-4490	16		24	16.7	1.5	2.3	\$ 1.21
400-230-4490	17		24	17.4	1.5	2.3	\$ 1.35
400-234-4490	21		28.7	21.5	2.5	3.3	\$ 1.37
400-240-4490	27		36	27.2	2.0	2.8	\$ 1.43
400-307-4490	8		13.0	8.6	1.0		\$ 1.10

Bonded Seals / Flange Seals