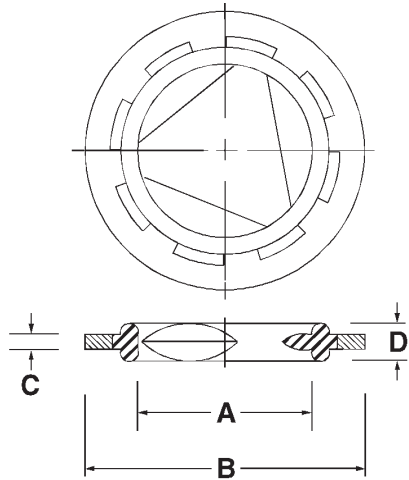


7500 Series Thread Seals



7500 series thread seals are reusable, safe, reliable seals for threaded devices. Their design is unique ... the first and only seal recommended for sealing directly against threads. Thread seals require no special machining or style of bolt, screw or thread. They are self-centering, non-directional and are low in original cost; can provide considerable savings because they make possible the use of low cost standard fasteners and full threaded fittings. No special tools or skill is needed to assemble - simply push them on with a slight twisting motion, and tighten fastener.

Fastener Seals

Part Number	Screw Size	Outside Dia. B	Metal Thickness	Rubber Thickness	Price
7500-6	#6	0.406	0.051	3/32	\$ 2.24
7500-8	#8	0.406	0.051	3/32	\$ 2.24
7500-10	#10	0.469	0.051	3/32	\$ 1.89
7500-1/4	1/4	0.562	0.051	3/32	\$ 2.05
7500-5/16	5/16	0.687	0.064	1/8	\$ 2.40
7500-3/8	3/8	0.750	0.064	1/8	\$ 2.57
7500-7/16	7/16	0.906	0.078	5/32	\$ 3.52
7500-1/2	1/2	1.000	0.078	5/32	\$ 3.54
7500-9/16	9/16	1.094	0.094	3/16	\$ 4.05
7500-5/8	5/8	1.187	0.094	3/16	\$ 4.20
7500-3/4	3/4	1.375	0.109	7/32	\$ 6.87
7500-7/8	7/8	1.562	0.109	7/32	\$ 8.20