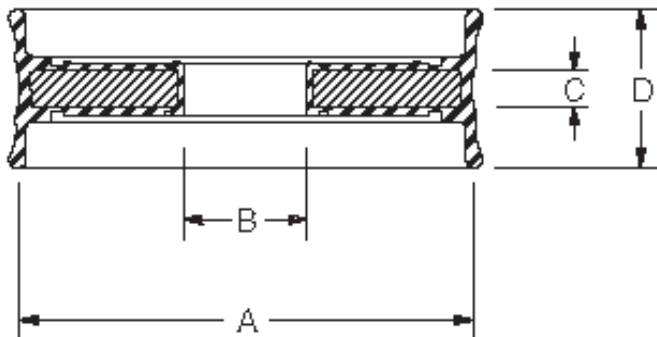


# DK Type Metric Piston Cups



The DK type metric piston cup is a complete pneumatic piston with a double lip seal vulcanized to a metal support disk. The lip geometry provides low breakout and running friction, and it can be used in unlubricated air after initial assembly lubrication. Because of the complete rubber covering, corrosion is not a problem.

Temperature: -20 to 175F

Pressure: 0 to 235 PSI

Prefix	Part Number				Price
	Bore Dia. A m m	Center Hole B m m	Total Height D m m	Base Thickness C m m	
DK	- 20	X 6	X 12	X 3	\$ 12.34
DK	- 25	X 6	X 12	X 3	\$ 12.58
DK	- 32	X 8	X 15	X 3	\$ 16.70
DK	- 40	X 8	X 20	X 4	\$ 19.80
DK	- 40	X 10	X 18	X 4	\$ 19.80
DK	- 50	X 8	X 20	X 4	\$ 25.79
DK	- 50	X 10	X 18	X 4	\$ 25.79
DK	- 50	X 16	X 20.5	X 4	\$ 26.83
DK	- 60	X 18	X 21	X 4	\$ 33.00
DK	- 63	X 16	X 21.5	X 4	\$ 35.27
DK	- 65	X 12	X 25	X 6	\$ 35.69
DK	- 70	X 12	X 22	X 5	\$ 44.35
DK	- 80	X 12	X 22.5	X 5	\$ 42.20
DK	- 80	X 16	X 22.5	X 5	\$ 43.11
DK	- 80	X 20	X 22.5	X 5	\$ 43.11
DK	- 100	X 16	X 25	X 6	\$ 64.98
DK	- 100	X 20	X 26	X 6	\$ 64.98
DK	- 125	X 20	X 26	X 5	\$ 93.04
DK	- 160	X 27	X 29	X 6	\$ 237.22
DK	- 200	X 27	X 35	X 12	\$ 249.20

Double Acting Piston Cups