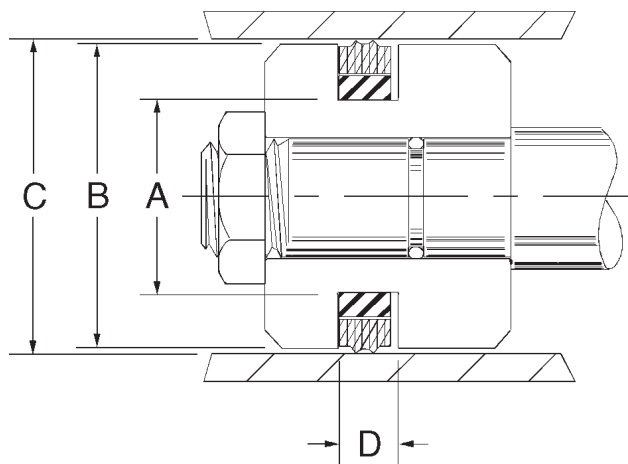


## Metric PSP Piston Seals

Prefix	Part Number					B Piston Dia.	Price	
	C Bore Dia. m m	A Groove Dia. m m	D Groove Width					
PSP	-	40	X	27	X	6.3	39.6	
PSP	-	45	X	32	X	6.3	44.6	
PSP	-	50	X	37	X	6.3	49.6	
PSP	-	63	X	53	X	5	62.7	
PSP	-	63	X	50	X	6.3	62.6	
PSP	-	65	X	52	X	6.3	64.6	
PSP	-	70	X	57	X	6.3	69.3	
PSP	-	70	X	54.5	X	6.3	69.3	C
PSP	-	75	X	62	X	6.3	74.6	A
PSP	-	80	X	59	X	8.1	79.5	L
PSP	-	80	X	59	X	10.5	79.5	L
PSP	-	85	X	71.5	X	6.3	84.6	
PSP	-	90	X	69	X	8.1	89.5	F
PSP	-	90	X	69	X	10.5	89.5	O
PSP	-	100	X	86.3	X	6.3	99.6	R
PSP	-	100	X	79	X	8.1	99.5	
PSP	-	105	X	89.5	X	6.3	104.6	P
PSP	-	110	X	94.5	X	6.3	109.6	R
PSP	-	110	X	89	X	8.1	109.5	I
PSP	-	110	X	89	X	10.5	109.5	C
PSP	-	115	X	94	X	8.1	114.5	E
PSP	-	120	X	99	X	10.5	119.5	
PSP	-	125	X	104	X	8.1	124.5	
PSP	-	130	X	114	X	7.3	129.5	
PSP	-	140	X	119	X	7.3	139.5	
PSP	-	145	X	124	X	7.3	144.5	
PSP	-	150	X	129	X	7.3	149.5	
PSP	-	200	X	175	X	12.5	199.4	



Metric PSP seals can easily be snapped into an enclosed groove. Due to the low friction, highly wear resistant 60 Shore D polyurethane, and the rectangular NBR energizer, sealing performance is exceptional. These seals are particularly suited for leakage-critical applications such as steering cylinders.

Temperature: -30 to 212F

Pressure: 0 to 3,675 PSI

PSP Piston Seals

*Don't See It?*

**Other Sizes and Styles are Available Upon Request.**