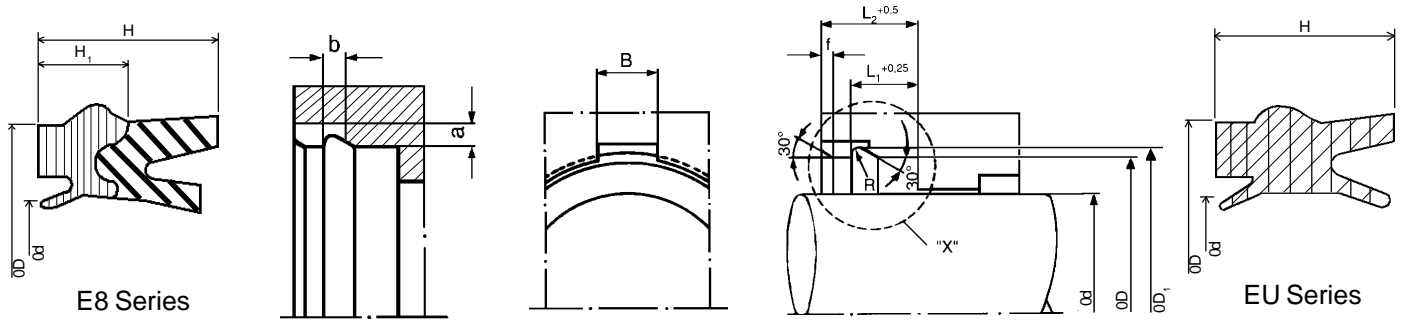


Once stock is depleted, parts will no longer be available - the EU SERIES will interchange in most cases...



E8 / EU Rod Seal Sets

## EU Series Rod Seal / Wiper

Profile EU Rod Seal / Wiper is suitable for pneumatic cylinders with a circlip recess according to DIN7993 (Type B). It is retained by the rounded outside diameter which makes it easy to snap into the groove. No retaining ring is needed. EU style seals are made from a highly wear resistant, low compression set 90 durometer polyurethane.

Temperature: 0 to 176F

Pressure: Pneumatic

Part Number					Groove Dimensions (mm)								Price	
Prefix	0d	D	H		D1	L1	L2	R	a	b	B	f		
EU -	12	X	19	X	10.0	21	7.7	12	1.1	1.8	2.2	4	1.5	\$ 7.10
EU -	12	X	20	X	10.7	22	8.8	13	1.1	1.8	2.2	4	1.5	\$ 7.80
EU -	12	X	22	X	10.7	24	8.8	13	1.1	1.8	2.2	4	1.5	\$ 7.93
EU -	14	X	24	X	10.7	26	8.8	13	1.1	1.8	2.2	4	1.5	\$ 8.45
EU -	16	X	26	X	10.7	28	8.8	13	1.1	1.8	2.2	5	1.5	\$ 8.68
EU -	18	X	26	X	10.7	28	8.8	13	1.1	1.8	2.2	5	1.5	\$ 8.90
EU -	18	X	28	X	10.7	30	8.8	13	1.1	1.8	2.2	5	1.5	\$ 9.16
EU -	20	X	30	X	10.7	32	8.8	13	1.1	1.8	2.2	5	1.5	\$ 9.39
EU -	22	X	32	X	11.2	35	9.4	14	1.4	2	2.8	7.5	2.0	\$ 9.53
EU -	25	X	35	X	11.2	38	9.4	14	1.4	2	2.8	7.5	2.0	\$ 9.68
EU -	30	X	40	X	11.2	43	9.4	14	1.4	2	2.8	7.5	2.0	\$ 17.08
EU -	32	X	42	X	11.2	45	9.4	14	1.4	2	2.8	7.5	2.0	\$ 18.44
EU -	40	X	50	X	11.2	53	9.4	14	1.4	2	2.8	7.5	2.0	\$ 24.43
EU -	50	X	60	X	12.2	63	10.4	15	1.8	2.5	3.6	10	2.0	\$ 28.48
EU -	63	X	75	X	13.0	78	11.4	16	1.8	2.5	3.6	10	2.0	\$ 35.29