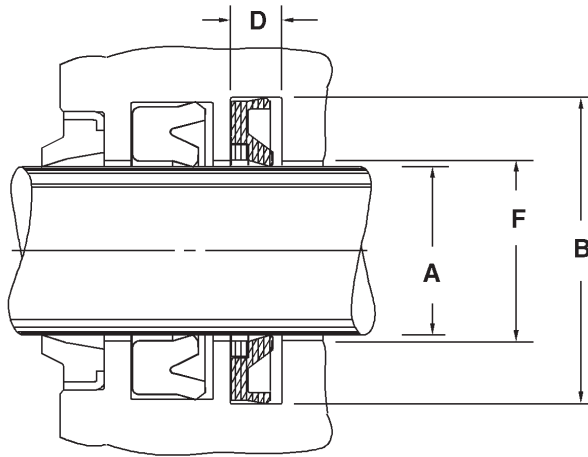


# CBR U-Cup Type Buffer Rings - Inch



Style CBR buffer rings are made in sizes to retrofit many Caterpillar and Case grooves, and are easy to install. They are designed for systems running high pressures, or susceptible to pressure spikes. The sealing element is made from 90 durometer urethane, and the anti-extrusion ring is made from POM.

Temperature: -22F to 230 F

Pressure: 0 to 5800 psi

U-Cup Type Buffer Rings

Part Number	Rod Dia. A mm	Groove Dia. B mm	Groove Width D mm	Price
CBR-1250	1.250	1.812	0.125	\$ 12.29
CBR-1500	1.500	2.062	0.125	\$ 7.30
CBR-1750	1.750	2.312	0.125	\$ 7.67
CBR-2000	2.000	2.562	0.125	\$ 8.51
CBR-2250	2.250	2.937	0.187	\$ 10.13

Part Number	Rod Dia. A mm	Groove Dia. B mm	Groove Width D mm	Price
CBR-2500	2.500	3.187	0.187	\$ 10.50
CBR-2750	2.750	3.375	0.187	\$ 11.08
CBR-3000	3.000	3.625	0.187	\$ 19.85
CBR-3500	3.500	4.187	0.187	\$ 20.11
CBR-4000	4.000	4.625	0.187	\$ 20.48