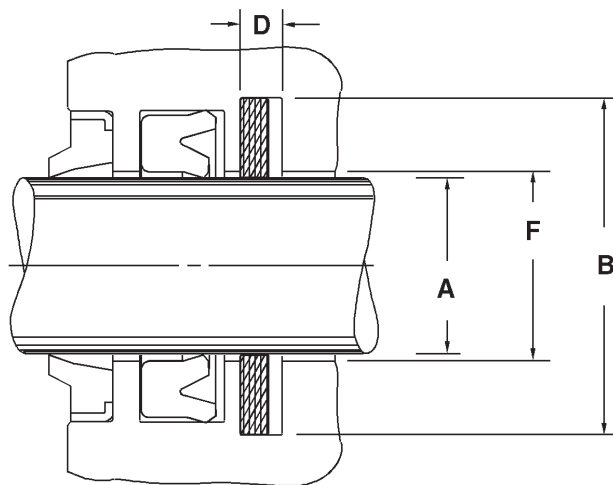


Rectangular Buffer Rings



These urethane buffer rings are rectangular shaped in profile. They are most commonly used in combination with a u-cup as a rod seal. Their purpose is to protect the rod seal from contaminants as well as to apply a hydraulic "load" to the u-cup. Some of these urethane rings are used as a backup ring combined with a rubber sealing ring in suspension cylinder applications. Part numbers starting with a G are used in Case equipment; the others are typically used in Caterpillar equipment.

Temperature: -40F to 225F

Pressure: 0 to 5000 psi

Rectangular Buffer Rings

Inch Sizes

Part Number	Rod Dia. A	Seal C/S C ₁	Seal Height D ₁	Material	Price
G109092	1-1/4	.287	.117	urethane	\$ 3.24
9J3497	1-1/4	-	-	urethane	\$ 5.12
G109093	1-1/2	.253	.117	urethane	\$ 3.24
6J9733	1-1/2	.285	.117	urethane	\$ 5.36
G109094	1-3/4	.251	.117	urethane	\$ 3.24
6J9178	1-3/4	.285	.117	urethane	\$ 9.32
4T6778	1-7/8	.200	.113	urethane	\$ 14.23
G107997	2	.258	.115	urethane	\$ 3.35
6J6917	2	.285	.117	urethane	\$ 6.64
4T6127	2-1/8	.268	.113	urethane	\$ 7.25
G109086	2-1/4	.312	.186	urethane	\$ 5.30
5J3616	2-1/4	.340	.187	urethane	\$ 13.32
6J6916	2-3/8	.340	.187	urethane	\$ 13.56
G107998	2-1/2	.340	.187	urethane	\$ 4.24
5J3620	2-1/2	.340	.187	urethane	\$ 13.76
8J9454	2-1/2	.325	.188	rubber	\$ 17.78
1U4020	2-5/8	.340	.187	urethane	\$ 12.39
G107999	2-3/4	.340	.187	urethane	\$ 11.46
6J6553	2-3/4	.340	.187	urethane	\$ 14.24
G109015	3	.310	.187	urethane	\$ 10.55
6J6915	3	.342	.187	urethane	\$ 14.72
6J7167	3-1/4	.340	.187	urethane	\$ 12.96
6J6736	3-1/2	.343	.187	urethane	\$ 12.67
8J6070	3-3/4	-	-	urethane	\$ 15.99
7J3863	4	.367	.183	rubber	\$ 9.90

Part Number	Rod Dia. A	Seal C/S C ₁	Seal Height D ₁	Material	Price
7J3864	4	.358	.168	urethane	\$ 18.28
8J4627	4	.340	.188	urethane	\$ 16.48
7J8943	4-1/4	.506	.219	urethane	\$ 19.84
3G5055	4-3/8	.437	.220	urethane	\$ 14.59
7J9257	4-3/4	.500	.220	urethane	\$ 21.04
8J4509	5	.504	.219	urethane	\$ 21.88
9J2548	5	.353	.166	urethane	\$ 23.40
4T5717	5-1/4	-	-	urethane	\$ 24.01
8J9450	5-1/2	.353	.166	urethane	\$ 24.15
9J5468	5-3/4	.495	.219	urethane	\$ 29.48
7J3865	6-1/8	.367	.185	rubber	\$ 22.31
7J3866	6-1/8	.351	.169	urethane	\$ 25.28
6J8631	6-1/2	.523	.217	urethane	\$ 25.03
5J1731	7	.352	.167	urethane	\$ 27.29
9J2495	7	.485	.219	urethane	\$ 32.82
4T4803	7-1/4	.372	.184	rubber	\$ 24.72
4T4804	7-1/4	-	-	urethane	\$ 31.96
7J3867	7-1/2	.351	.169	urethane	\$ 25.57
7J3868	7-1/2	.368	.185	rubber	\$ 23.90
9J4753	9	.378	.187	rubber	\$ 28.84
6J7693	9	.351	.170	urethane	\$ 31.72
4T4806	10-1/2	.380	.183	rubber	\$ 34.30
4T4807	10-1/2	-	-	urethane	\$ 40.35
1U4623	11	.375	.191	rubber	\$ 41.45
1U4624	11	-	-	urethane	\$ 42.69

Metric Sizes (all urethane)

Part Number	Rod Dia. A	Seal O.D. B ₁	Seal Height D ₁	Price
MBRU-25X33.6X2.3	25	33.6	2.3	\$ 12.75
MBRU-30X41X2.9	30	41	2.9	\$ 13.26
MBRU-35X46X2.9	35	46	2.9	\$ 13.55
MBRU-35X48X3	35	48	3	\$ 14.09
MBRU-40X48X3	40	48	3	\$ 13.61
MBRU-50X58X3	50	58	3	\$ 13.80
MBRU-50X63X4	50	63	4	\$ 14.94
MBRU-56X68X4	56	68	4	\$ 19.08
MBRU-56X70X3	56	70	3	\$ 19.08
MBRU-56X73X4.8	56	73	4.8	\$ 13.45

Part Number	Rod Dia. A	Seal O.D. B ₁	Seal Height D ₁	Price
MBRU-63X80X4.8	63	80	4.8	\$ 14.18
MBRU-65X78X4	65	78	4	\$ 19.32
MBRU-70X83X4	70	83	4	\$ 20.52
MBRU-70X84X3	70	84	3	\$ 20.75
MBRU-75X88X4	75	88	4	\$ 22.50
MBRU-80X93X4	80	93	4	\$ 22.56
MBRU-90X103X4	90	103	4	\$ 25.38
MBRU-100X113X4	100	113	4	\$ 33.24
MBRU-100X118X5	100	118	5	\$ 33.59