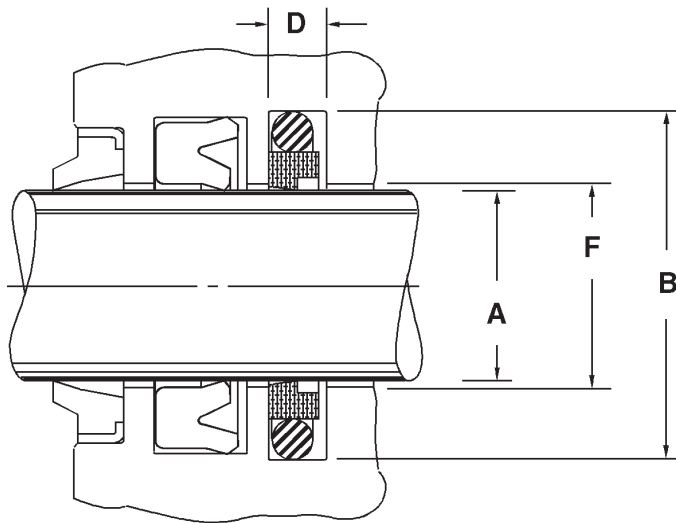


Stepped TFE Buffer Rings - Inch



Stepped seals are used to "buffer" pressure spikes from the primary rod seal, and are sometimes used in tandem. Combined with an unloaded u-cup, pressure builds between the step seal and primary seal and helps "load" the u-cup. Seals are machined from bronze filled teflon. Expanders are 70 durometer high memory nitrile, also available with viton expander rings.

Temperature: -40F to 225F

Pressure: 0 to 3500 psi

Teflon Buffer Rings - Inch

Part Number	Rod Dia. A	Groove Dia. B H9	Groove Width D H9	Price
AS231E-12B	3/4	1.048	.126	\$ 11.84
AS231E-16B	1	1.298	.126	\$ 13.06
AS235E-16B	1	1.424	.166	\$ 13.25
AS231E-18B	1-1/8	1.423	.126	\$ 13.43
AS235E-18B	1-1/8	1.549	.166	\$ 14.17
AS231E-20B	1-1/4	1.548	.126	\$ 14.58
AS231E-22B	1-3/8	1.673	.126	\$ 15.91
AS235E-22B	1-3/8	1.799	.166	\$ 16.63
AS231E-24B	1-1/2	1.798	.126	\$ 15.25
AS235E-24B	1-1/2	1.924	.166	\$ 16.76
AS231E-28B	1-3/4	2.048	.126	\$ 15.72
AS235E-28B	1-3/4	2.174	.166	\$ 18.01
AS239E-28B	1-3/4	2.366	.247	\$ 19.39
AS235E-30B	1-7/8	2.299	.166	\$ 18.45
AS235E-32B	2	2.424	.166	\$ 18.89
AS239E-32B	2	2.616	.247	\$ 20.78
AS235E-36B	2-1/4	2.674	.166	\$ 19.57
AS239E-36B	2-1/4	2.866	.247	\$ 20.41
AS235E-40B	2-1/2	2.924	.166	\$ 20.48
AS239E-40B	2-1/2	3.116	.247	\$ 22.16
AS239E-42B	2-5/8	3.241	.247	\$ 22.83
AS235E-44B	2-3/4	3.174	.166	\$ 22.24
AS239E-44B	2-3/4	3.366	.247	\$ 23.04
AS235E-48B	3	3.424	.166	\$ 23.38
AS239E-48B	3	3.616	.247	\$ 24.32
AS239E-48P63D	3	3.616	.247	\$ 51.94
AS239E-52B	3-1/4	3.866	.247	\$ 25.39

Part Number	Rod Dia. A	Groove Dia. B H9	Groove Width D H9	Price
AS239E-56B	3-1/2	4.116	.247	\$ 27.07
AS239E-58B	3-5/8	4.241	.247	\$ 27.84
AS239E-60B	3-3/4	4.366	.247	\$ 28.99
AS235E-64B	4	4.424	.166	\$ 29.22
AS239E-64B	4	4.616	.247	\$ 31.72
AS239E-64P63D	4	4.616	.247	\$ 64.15
AS241E-64B	4	4.830	.320	\$ 36.87
AS239E-72B	4-1/2	5.116	.247	\$ 38.93
AS241E-72B	4-1/2	5.33	.320	\$ 42.98
AS239E-76B	4-3/4	5.366	.247	\$ 40.90
AS239E-80B	5	5.616	.247	\$ 41.15
AS241E-80B	5	5.830	.320	\$ 46.81
AS239E-82B	5-1/8	5.741	.247	\$ 41.54
AS239E-86B	5-3/8	5.991	.247	\$ 43.47
AS241E-88B	5-1/2	6.330	.320	\$ 49.72
AS241E-92B	5-3/4	6.580	.320	\$ 53.02
AS239E-96B	6	6.616	.247	\$ 45.06
AS241E-96B	6	6.830	.320	\$ 54.24
AS239E-104B	6-1/2	7.116	.247	\$ 49.57
AS241E-108B	6-3/4	7.580	.320	\$ 59.67
AS239E-112B	7	7.616	.247	\$ 52.05
AS241E-112B	7	7.830	.320	\$ 67.66
AS241E-116B	7-1/4	8.08	.320	\$ 82.51
AS241E-128B	8	8.830	.320	\$ 96.10
AS241E-136B	8-1/2	9.330	.320	\$ 108.41
AS241E-168B	10-1/2	11.330	.320	\$ 131.08
AS241E-208B	13	13.830	.320	\$ 295.88