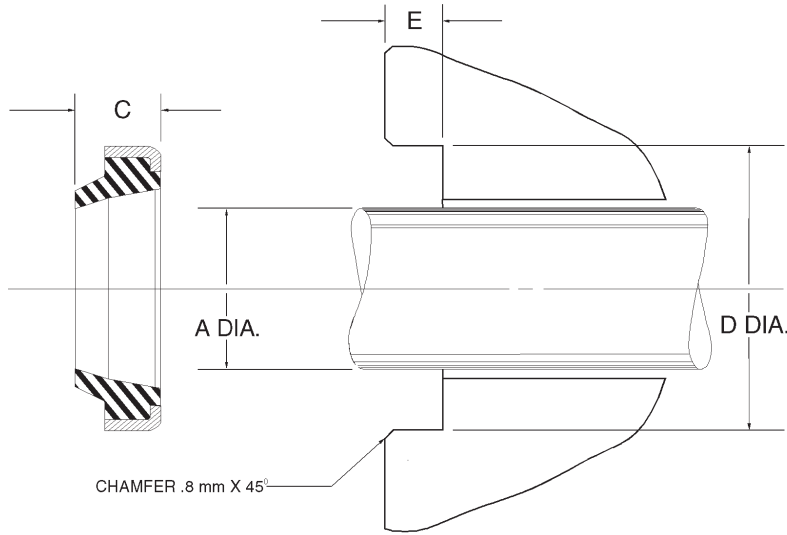


AM43 Type Metric Wipers



AM43 series press in wipers are made from a hard nitrile material chemically bonded to a corrosion resistant carbon steel shell. As with other press-in wipers, there is no need for additional retention devices.

Temperature: -40 to 250F

AM43 Wipers

Prefix	Part Number					Price
	Rod Dia. A mm	Groove Dimensions		Total Height C mm		
		Bore D mm H8	Groove Height E mm +0.5/-0.0			
AM43	- 10	X 16	X 3	X 5	\$ 4.90	
AM43	- 10	X 18	X 5	X 8	\$ 6.33	
AM43	- 10	X 20	X 5	X 8	\$ 4.94	
AM43	- 12	X 18	X 4	X 6	\$ 4.99	
AM43	- 12	X 20	X 4	X 6	\$ 5.06	
AM43	- 12	X 22	X 5	X 8	\$ 7.17	
AM43	- 14	X 20	X 3	X 4	\$ 5.13	
AM43	- 14	X 22	X 3	X 4	\$ 5.19	
AM43	- 14	X 25	X 5	X 8	\$ 5.25	
AM43	- 15	X 25	X 5	X 8	\$ 5.31	
AM43	- 16	X 22	X 3	X 4	\$ 5.33	
AM43	- 16	X 24	X 5	X 8	\$ 5.38	
AM43	- 16	X 26	X 5	X 8	\$ 5.44	
AM43	- 18	X 26	X 3	X 4	\$ 7.83	
AM43	- 18	X 28	X 5	X 7	\$ 5.50	
AM43	- 18	X 28	X 7	X 10	\$ 5.57	
AM43	- 18	X 32	X 5	X 9	\$ 5.66	
AM43	- 20	X 26	X 4	X 7	\$ 5.71	
AM43	- 20	X 26	X 5	X 8	\$ 5.76	
AM43	- 20	X 28	X 3.5	X 5	\$ 5.80	
AM43	- 20	X 28	X 5	X 8	\$ 5.84	
AM43	- 20	X 30	X 4	X 6	\$ 5.87	
AM43	- 20	X 30	X 7	X 10	\$ 5.91	
AM43	- 20	X 35	X 7	X 10	\$ 5.94	
AM43	- 21	X 28	X 3.5	X 5	\$ 5.98	
AM43	- 22	X 28	X 5	X 9	\$ 6.02	
AM43	- 22	X 30	X 4	X 5	\$ 6.06	
AM43	- 22	X 32	X 7	X 10	\$ 6.09	
AM43	- 22	X 35	X 5	X 8	\$ 6.17	
AM43	- 23	X 33	X 5	X 8	\$ 6.19	
AM43	- 24	X 32	X 5	X 7	\$ 6.21	
AM43	- 24	X 35	X 5	X 8	\$ 6.24	
AM43	- 25	X 31	X 5	X 7	\$ 6.24	
AM43	- 25	X 35	X 7	X 10	\$ 6.30	
AM43	- 26	X 35	X 7	X 10	\$ 14.33	
AM43	- 28	X 38	X 5	X 8	\$ 6.33	
AM43	- 28	X 40	X 7	X 10	\$ 6.35	
AM43	- 30	X 40	X 5	X 8	\$ 6.39	

Prefix	Part Number					Price
	Rod Dia. A mm	Groove Dimensions		Total Height C mm		
		Bore D mm H8	Groove Height E mm +0.5/-0.0			
AM43	- 30	X 40	X 7	X 10	\$ 6.39	
AM43	- 32	X 40	X 4	X 7	\$ 6.44	
AM43	- 32	X 42	X 5	X 7	\$ 6.52	
AM43	- 32	X 45	X 4	X 8	\$ 6.67	
AM43	- 32	X 45	X 7	X 10	\$ 6.79	
AM43	- 35	X 45	X 7	X 10	\$ 6.95	
AM43	- 35	X 47	X 7	X 10	\$ 7.31	
AM43	- 35	X 52	X 7	X 10	\$ 7.60	
AM43	- 36	X 45	X 7	X 10	\$ 7.86	
AM43	- 36	X 46	X 5	X 8	\$ 7.95	
AM43	- 36	X 46	X 7	X 10	\$ 7.99	
AM43	- 38	X 48	X 7	X 10	\$ 8.04	
AM43	- 40	X 50	X 5	X 8	\$ 8.17	
AM43	- 40	X 50	X 7	X 10	\$ 8.23	
AM43	- 40	X 52	X 7	X 10	\$ 8.45	
AM43	- 42	X 52	X 7	X 10	\$ 8.57	
AM43	- 45	X 55	X 7	X 10	\$ 8.63	
AM43	- 45	X 57	X 7	X 10	\$ 8.78	
AM43	- 45	X 60	X 7	X 10	\$ 8.89	
AM43	- 48	X 60	X 7	X 10	\$ 9.09	
AM43	- 50	X 56	X 5	X 7	\$ 8.94	
AM43	- 50	X 60	X 5	X 7	\$ 9.33	
AM43	- 50	X 60	X 7	X 10	\$ 9.54	
AM43	- 50	X 63	X 8	X 10	\$ 14.52	
AM43	- 50	X 65	X 5	X 8	\$ 14.52	
AM43	- 50	X 65	X 7	X 10	\$ 14.52	
AM43	- 50	X 72	X 8	X 11	\$ 17.19	
AM43	- 52	X 62	X 7	X 10	\$ 10.87	
AM43	- 55	X 63	X 7	X 10	\$ 10.89	
AM43	- 55	X 65	X 7	X 10	\$ 10.93	
AM43	- 56	X 65	X 7	X 10	\$ 10.03	
AM43	- 56	X 66	X 7	X 10	\$ 10.09	
AM43	- 60	X 70	X 7	X 10	\$ 10.23	
AM43	- 60	X 74	X 5	X 8	\$ 15.21	
AM43	- 60	X 75	X 7	X 10	\$ 11.81	
AM43	- 60	X 80	X 7	X 10	\$ 12.13	
AM43	- 63	X 73	X 5	X 7	\$ 18.31	
AM43	- 63	X 75	X 7	X 10	\$ 13.87	

AM43 Type Metric Wipers, cont'd.

AM43 Wipers

Prefix	Rod Dia. A mm	Part Number						Price
		Groove Dimensions				Total Height C mm		
		Bore		Groove Height E mm +0.5/-0.0				
D mm H8								
AM43	- 63	X	83	X	5	X	8	\$ 20.75
AM43	- 65	X	75	X	7	X	10	\$ 14.02
AM43	- 67	X	83	X	7	X	10	\$ 16.85
AM43	- 70	X	80	X	7	X	10	\$ 14.15
AM43	- 72	X	82	X	7	X	10	\$ 14.74
AM43	- 75	X	85	X	7	X	10	\$ 14.88
AM43	- 75	X	87	X	5	X	7	\$ 15.32
AM43	- 78	X	88	X	7	X	10	\$ 15.55
AM43	- 80	X	88	X	7	X	10	\$ 15.59
AM43	- 80	X	90	X	7	X	10	\$ 15.65
AM43	- 82	X	92	X	7	X	10	\$ 15.79
AM43	- 85	X	95	X	7	X	10	\$ 15.83
AM43	- 90	X	100	X	7	X	10	\$ 16.38
AM43	- 95	X	105	X	7	X	10	\$ 17.44
AM43	- 95	X	106	X	7	X	10	\$ 29.40
AM43	- 100	X	110	X	7	X	10	\$ 18.80
AM43	- 105	X	115	X	7	X	10	\$ 21.20
AM43	- 110	X	120	X	7	X	10	\$ 23.61
AM43	- 112	X	122	X	7	X	13	\$ 26.79
AM43	- 115	X	125	X	7	X	10	\$ 28.86
AM43	- 120	X	130	X	7	X	10	\$ 31.72
AM43	- 125	X	135	X	7	X	10	\$ 35.37
AM43	- 125	X	140	X	9	X	12	\$ 38.20

Prefix	Rod Dia. A mm	Part Number						Price
		Groove Dimensions				Total Height C mm		
		Bore		Groove Height E mm +0.5/-0.0				
D mm H8								
AM43	- 130	X	145	X	9	X	12	\$ 46.00
AM43	- 135	X	145	X	7	X	10	\$ 43.11
AM43	- 135	X	150	X	9	X	10	\$ 46.06
AM43	- 140	X	150	X	7	X	10	\$ 43.70
AM43	- 140	X	155	X	9	X	12	\$ 46.19
AM43	- 145	X	160	X	9	X	12	\$ 46.19
AM43	- 150	X	165	X	9	X	12	\$ 48.05
AM43	- 150	X	166	X	8	X	12	\$ 54.88
AM43	- 160	X	175	X	9	X	12	\$ 55.47
AM43	- 160	X	176	X	8	X	12	\$ 60.90
AM43	- 163	X	175	X	7	X	10	\$ 63.97
AM43	- 170	X	185	X	10	X	14	\$ 65.32
AM43	- 180	X	195	X	10	X	14	\$ 68.45
AM43	- 185	X	200	X	10	X	14	\$ 71.45
AM43	- 200	X	215	X	7	X	10	\$ 78.42
AM43	- 200	X	220	X	12	X	16	\$ 80.51
AM43	- 210	X	230	X	12	X	16	\$ 91.95
AM43	- 220	X	240	X	12	X	16	\$ 116.17
AM43	- 240	X	260	X	12	X	16	\$ 206.60
AM43	- 250	X	270	X	12	X	16	\$ 132.25
AM43	- 280	X	300	X	12	X	16	\$ 148.80
AM43	- 310	X	340	X	16	X	22	\$ 224.24