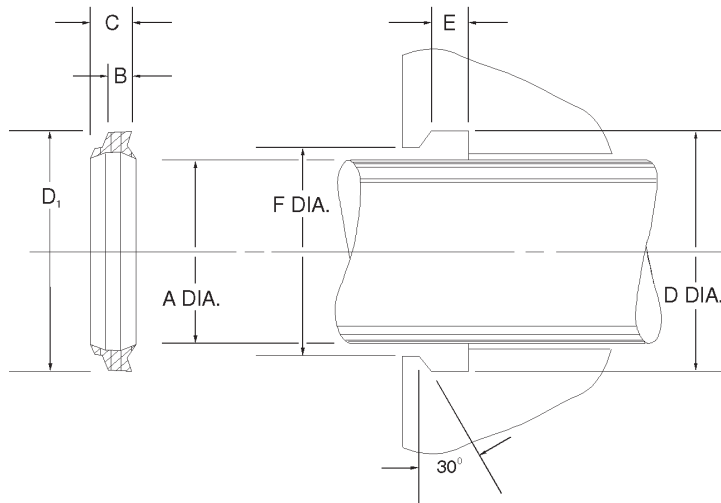


# K Type Double Lip Urethane Wipers



K type double lip wiper seal rings are one piece snap-in type rod wipers made from 90 durometer urethane. They fit grooves with a 30° tapered top surface. As the external lip scrapes dust and dirt from the rod, the secondary lip traps slight leakage that may pass the rod seal.

Temperature: -65 to 200F

K Wipers

Part No.	Wiper Dimensions (in.)				Groove Dimensions (in.)			Price
	A Rod Dia.	D1 Outside Dia.	B Base	C Max.	D +.005	E +.005	F +.000	
K-0500	0.500	3/4	.150	.315	0.760	.155	0.625	\$ 1.98
K-0625	0.625	7/8	.150	.315	0.885	.155	0.750	\$ 1.98
K-0687	0.687	15/16	.150	.315	0.947	.155	0.812	\$ 1.98
K-0750	0.750	1-1/8	.190	.361	1.135	.195	0.832	\$ 2.04
K-0875	0.875	1-1/4	.190	.361	1.260	.195	0.957	\$ 2.04
K-1000	1.000	1-3/8	.190	.361	1.385	.195	1.082	\$ 2.08
K-1125	1.125	1-1/2	.190	.361	1.510	.195	1.207	\$ 2.20
K-1250	1.250	1-5/8	.190	.361	1.635	.195	1.332	\$ 2.31
K-1375	1.375	1-3/4	.190	.361	1.760	.195	1.457	\$ 2.45
K-1500	1.500	1-7/8	.190	.361	1.885	.195	1.582	\$ 2.66
K-1750	1.750	2-1/8	.190	.361	2.135	.195	1.832	\$ 2.91
K-1875	1.875	2-1/4	.190	.361	2.260	.195	1.957	\$ 3.77
K-1937	1.937	2-5/16	.190	.361	2.322	.195	2.019	\$ 3.80
K-2000	2.000	2-3/8	.190	.361	2.385	.195	2.083	\$ 3.23
K-2125	2.125	2-1/2	.190	.361	2.510	.195	2.207	\$ 4.11
K-2187	2.187	2-9/16	.190	.361	2.572	.195	2.269	\$ 7.76
K-2250-187	2.250	2-5/8	.190	.361	2.635	.195	2.332	\$ 4.10
K-2250	2.250	2-3/4	.250	.478	2.760	.255	2.407	\$ 4.10
K-2500-187	2.500	2-7/8	.190	.361	2.885	.195	2.582	\$ 5.97
K-2500	2.500	3	.250	.478	3.010	.255	2.657	\$ 4.25
K-2625	2.625	3-1/8	.250	.478	3.135	.255	2.782	\$ 4.62
K-2750-187	2.750	3-1/8	.190	.361	3.510	.195	2.832	\$ 6.25
K-2750	2.750	3-1/4	.250	.478	3.260	.255	2.907	\$ 4.90
K-2875	2.875	3-3/8	.250	.478	3.385	.255	3.032	\$ 8.92
K-3000-187	3.000	3-3/8	.190	.361	3.385	.195	3.082	\$ 6.88
K-3000	3.000	3-1/2	.250	.478	3.510	.255	3.157	\$ 5.56

Part No.	Wiper Dimensions (in.)				Groove Dimensions (in.)			Price
	A Rod Dia.	D1 Outside Dia.	B Base	C Max.	D +.005	E +.005	F +.000	
K-3250	3.250	3-3/4	.250	.478	3.760	.255	3.407	\$ 5.87
K-3375	3.375	3-7/8	.250	.478	3.885	.255	3.532	\$ 6.60
K-3500-187	3.500	3-7/8	.190	.361	3.875	.195	3.582	\$ 6.62
K-3500	3.500	4	.250	.478	4.010	.255	3.657	\$ 6.62
K-3625	3.625	4-1/8	.250	.478	4.135	.255	3.782	\$ 9.25
K-3687	3.687	4-3/16	.250	.478	4.197	.255	3.488	\$ 7.40
K-3750-187	3.750	4-1/8	.190	.361	4.135	.195	3.832	\$ 8.80
K-3750	3.750	4-1/4	.250	.478	4.260	.255	3.907	\$ 7.09
K-3970	3.970	4.470	.250	.478	4.480	.255	4.127	\$ 9.83
K-4000	4.000	4-1/2	.250	.478	4.510	.255	4.157	\$ 8.63
K-4062	4.062	4-9/16	.250	.478	4.572	.255	4.219	\$ 9.04
K-4125	4.125	4-5/8	.250	.478	4.635	.255	4.282	\$ 11.84
K-4250	4.250	4-3/4	.250	.478	4.760	.255	4.407	\$ 12.28
K-4437	4.438	4-15/16	.250	.478	4.947	.255	4.594	\$ 12.43
K-4500	4.500	5	.250	.478	5.010	.255	4.657	\$ 10.93
K-4531	4.531	5-1/32	.250	.478	5.041	.255	4.688	\$ 13.03
K-4625	4.625	5-1/8	.250	.478	5.135	.255	4.782	\$ 13.59
K-4750	4.750	5-1/4	.250	.478	5.260	.255	4.907	\$ 14.21
K-4875	4.875	5-3/8	.250	.478	5.385	.255	5.032	\$ 14.23
K-5000	5.000	5-1/2	.250	.478	5.510	.255	5.157	\$ 11.22
K-5250	5.250	5-3/4	.250	.478	5.760	.255	5.407	\$ 16.08
K-5500	5.500	6	.250	.478	6.010	.255	5.657	\$ 18.91
K-5950	5.950	6.450	.250	.478	6.460	.255	6.107	\$ 13.63
K-6000	6.000	6-1/2	.250	.478	6.510	.255	6.157	\$ 17.23
K-7000	7.000	7-1/2	.250	.478	7.510	.255	7.157	\$ 18.03